

# WIKING

*made by* **hwam**



NEW



## A true Viking

Raw strength and strong family ties are classic symbols of the Scandinavian Vikings. These symbols also provide the foundation for our WIKING stoves, which radiate high quality and human values.

The WIKING stoves' environmentally friendly heat and attractive flame presentation draw family members and friends together.

We have over 40 years' experience in developing stoves and researching efficient wood combustion. This means you can always expect high quality, reliable functions and stylish design when you purchase a WIKING stove.



**WIKING MIRO 6**

With white tile cladding

## Made in Denmark

WIKING stoves are made by HWAM A/S.

HWAM A/S is a Danish family-owned company in its second generation, which is passionate about developing the best stoves for the whole world. For us, development is just as much about functionality as design, and we therefore combine the latest technology with good craftsmanship. We develop and manufacture all our stoves in Denmark, so that we can ensure high quality throughout the entire process. This is your ultimate guarantee of the best product.

We make no compromises with our stoves. You will experience this first hand when you take a close look at the crackling fire behind the clear glass stove window. While our stoves are discreet from a distance, close up you can clearly see our passion for design, innovation, quality and our eye for detail.

## Save up to 40% on firewood\*

All WIKING stoves have a built-in automatic system to ensure the most efficient combustion by adjusting the air supply. This saves you from having to open and close various vents – the stove simply does the job for you.

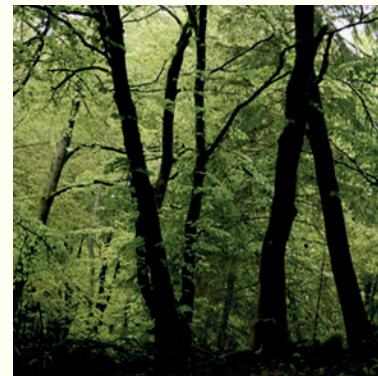
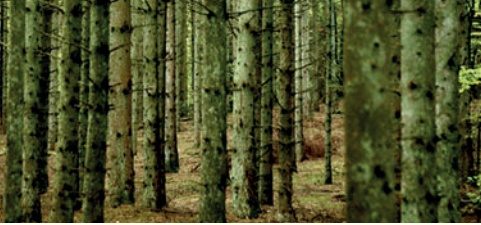
The automatic system is based on a heat sensitive spring which expands or contracts in response to the stove temperature. At high temperatures, the spring adjusts the vent to prevent too much oxygen reaching the flames. As the flames begin to die down and the temperature drops again, the spring opens the vent, ensuring that enough oxygen is provided to get the fire going again when firewood is added.

## WIKING's automatic™ system has many advantages:

- It ensures greater comfort, because the stove automatically adjusts the oxygen supply.
- It is easier to light the fire because the system ensures maximum oxygen intake in a cold stove.
- You achieve clean and efficient combustion, benefiting yourself and the environment.
- The more efficient combustion means you can save up to 40% in firewood costs.\*

\* All calculations are based on comparison with a corresponding WIKING wood stove without WIKING Automatic™.





## User-friendly focus

We make all WIKING stoves using the most modern techniques. This ensures uniform quality and excellent user-friendliness.

When we say that WIKING stoves are user-friendly, this means things like:

- Adjustable feet make it easy to get a WIKING stove to stand absolutely level, even on an uneven floor.
- A latch and sealing door make it simple and easy to operate. Simply pull gently on the handle to open, and let the latch engage for a good seal when closing the door again.
- There is the option to connect a unique fresh air system behind or beneath all WIKING stoves. This ensures efficient combustion, independent of the air in the room.



## Did you know that wood is the world's most climate and environmentally friendly raw material?

While the trees are standing in the forest, they purify the air by absorbing CO<sub>2</sub>. This CO<sub>2</sub> is released when we burn the wood in our stove. The same process would occur if we allowed the wood to rot on the forest floor instead. This means we utilise the energy efficiently, and avoid extracting energy from underground carbon sources such as oil, coal or gas.

Burning wood is therefore an environmentally friendly form of energy in itself. But a WIKING stove goes one step further in relation to sustainability. All WIKING stoves fulfill the most stringent EU particle emissions requirements. Our stoves are already ahead of the more stringent EU requirements coming in 2022.

## Fresh air improves combustion

No oxygen, no fire. A constant supply of air to your stove is therefore necessary to achieve pure and efficient combustion. Modern, energy efficient and environmentally friendly homes are very well sealed. This is good for your heating budget and electricity bill, but can be a challenge for your stove, which has difficulty drawing in enough oxygen from the room.

We have therefore developed a fresh air system which can be attached to all our stoves. The system can be installed in various ways depending on the setting for the given stove. But all fresh air systems allow the stove to draw in fresh air from outside via a pipe. The fresh air system ensures optimal combustion in your stove, while not taking the oxygen from your well sealed home.

## Approved for future environmental requirements

All WIKING stoves have been tested at the leading test institutions in Europe and approved for future environmental requirements. All our stoves are CE marked, in line with European standard EN13240, the Norwegian SINTEF NS3058/3059 standard and the Austrian Art. 15a standard.

# WIKING MINI 2

NEW

With low legs





*Automatic*<sup>TM</sup>

## WIKING MINI 2

Welcome to the WIKING Mini 2 - the family's newest, and to date, smallest member.

WIKING Mini 2 offers three beautiful variants, two with legs in different heights and one with a plinth.

Although the WIKING Mini 2 is smaller than our other WIKING models, no compromise has been made with combustion technology, quality or environmental requirements.

### WIKING MINI 2

NEW

With a plinth



NEW

### WIKING MINI 2

With high legs



# WIKING MIRO 2

With a pedestal





*Automatic*<sup>TM</sup>

## WIKING MIRO 1+2

WIKING Miro 1 and WIKING Miro 2 are the shortest stoves in the WIKING Miro series. Both models have a large stove glass set in a solid cast-iron door, and WIKING Miro 1 also has wide side windows, so you can enjoy the view of crackling flames from all angles.

The slightly angled rear section makes WIKING Miro look good – not only on a straight wall but also in a corner. WIKING Miro 1 and WIKING Miro 2 can be wall mounted, placed on a pedestal or installed on the floor on a plinth.

## WIKING MIRO 2

With a pedestal



## WIKING MIRO 1

With a plinth



## WIKING MIRO 2

Wall mounted





## WIKING MIRO 4

With black tile cladding



# Automatic™

## WIKING MIRO 3+4

Like the other models in the series, WIKING Miro 3 and WIKING Miro 4 are convection stoves, which are renowned for quickly heating and distributing the air in the room. These models have a solid cast-iron base in the combustion chamber and a rugged cast-iron door, which look good alongside the smooth plate iron. They also have a practical storage area under the combustion chamber.

WIKING Miro 3 has wide side windows, while WIKING Miro 4 has smooth steel sides. WIKING Miro 4 is also available with soapstone, sandstone or black, white or red tiles. With their natural patterns and variegated colours, these attractively complement the stove.

## WIKING MIRO 4

With soapstone cladding



WIKING MIRO 3



WIKING MIRO 4





## WIKING MIRO 6

With soapstone cladding



# Automatic™

## WIKING MIRO 5+6

The WIKING Miro 5 and WIKING Miro 6 design includes a heat store above the combustion chamber, making them the tallest models in the WIKING Miro series. The heat store can be filled with heat storage stones, which store heat from the stove and slowly release it into the room long after the fire has burned out. WIKING Miro 5 has wide side windows, while WIKING Miro 6 has smooth steel sides.

WIKING Miro 6 is also available with soapstone, sandstone or red, white or black tiles, as decorative and exclusive cladding for the stove.

## WIKING MIRO 6

With white tile cladding



WIKING MIRO 5



WIKING MIRO 6





# WIKING LUMA 1

NEW

Wall mounted



*Automatic*<sup>TM</sup>

## WIKING LUMA 1+2

WIKING Luma 1 and 2 are the shortest stoves in the WIKING Luma series. But this does not prevent the firewood from being fully utilised, to the benefit of the user and the environment. Both models have a large stove glass set in a solid cast-iron door, and Luma 1 also has wide side windows, so you can enjoy the view of crackling flames from all angles. Both WIKING Luma stoves are available with a pedestal, can be wall mounted or placed on the floor.

WIKING Luma 1 and WIKING Luma 2 have a simple and timeless design and are perfect for the cosy nook in your holiday house, or as a gathering point in your living room at home.

NEW

### WIKING LUMA 1

Wall mounted



### WIKING LUMA 2

NEW

With a pedestal

WIKING LUMA 3

NEW





# Automatic™

## WIKING LUMA 3+4

Like the other models in the series, WIKING Luma 3 and WIKING Luma 4 have been developed with large combustion chambers, to meet the large heating needs at home in the living room. The models come with solid cast-iron bases and cast-iron doors, uniting simplicity and reliable design. They also have a practical storage area under the combustion chamber.

WIKING Luma 3 has wide side windows, so the attractive flames can be viewed from the sides as well. WIKING Luma 4 comes standard with smooth steel sides, but is also available with tiles, sandstone or soapstone as a decorative and exclusive cladding for the stove.

## WIKING LUMA 4

NEW

With soapstone cladding



NEW

## WIKING LUMA 3

## WIKING LUMA 4

NEW



## WIKING LUMA 6

NEW

With Tobacco sandstone cladding



*Automatic*<sup>TM</sup>

## WIKING LUMA 5+6

The WIKING Luma 5 and WIKING Luma 6 design includes a heat store above the combustion chamber, making them the tallest models in the Luma series. The heat store can be filled with heat storage stones, which store heat from the stove and slowly release it into the room long after the fire has burned out.

WIKING Luma 5 has wide side windows for better views of the flames, while WIKING Luma 6 has smooth steel sides. WIKING Luma 6 is also available with soapstone, sandstone or black, white or red tiles, giving the stove an attractive look.

### WIKING LUMA 6

NEW

With soapstone cladding



NEW

### WIKING LUMA 5



### WIKING LUMA 6



NEW



## Clad for lasting heat

The Vikings frequently used hot stones for household purposes. They were used to keep beds or pots nice and warm, or iron the wrinkles out of clothing.

In the same way, the heat from many of our WIKING stoves can be extended using various forms of stone cladding. WIKING Miro 5 and 6, and WIKING Luma 5 and 6 have a built-in heat storage area which can be filled with special heat storage stones. The stones absorb the heat from the flames and continue to release it long after the fire has died down in the stove.

WIKING Miro 4 and 6 and WIKING Luma 4 and 6 can be clad with a raw and attractive exterior, offering a contemporary look and extending the heat effect at the same time. Soapstone, sandstone or tile cladding allows you to add your own personal touch to your stove's appearance, while also extending the heat effect.

## Moulded floor hearths for your stove

For most of our stoves, we offer a stylish solution for protecting the floor in front of your stove, in the form of a custom-made floor hearth. Our floor hearths are available in glass or in black steel so that you can choose a design that matches your home's interior decoration best.





## Soapstone variations

We have carefully selected all our soapstone, which has a smooth surface with unique structures and interesting variations. These stones are a natural product, so there will be variations in colour and structure from stone to stone. This helps make each stove with soapstone cladding something special, with a unique and intricate surface.

## Tile colours

Another available option is to cover your WIKING stove with tiles in red, white or black. This allows you to design your stove to match your personal interior style. For example, a white stove looks perfect in a stylish kitchen, while a red stove creates extra warmth and personality in the living room.

## Sensual sandstone

WIKING wood-burning stoves are also offered in sandstone in the colour Tobacco. Sandstone is a sedimentary rock consisting of many small sand grains. This gives sandstone a special sensual structure, which perfectly complements an attractive stove in a modern interior.



# TECHNICAL SPECIFICATIONS

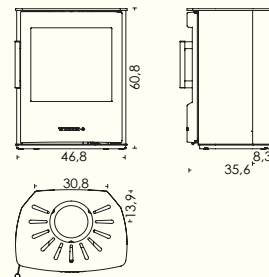
	WIKING Mini 2
<b>Technical specifications</b>	
Operating range	3-7 kW
Nominal heat output	4.5 kW
Gross and Net efficiency	76/83%
Combustion chamber width, front/rear	35/32 cm
Flue diameter, Ø 125 mm or Ø 150 mm	5"/6"
Chimney draught, min. (recommended)	12 Pa
Energy efficiency class	A+
<b>Weight</b>	
Weight without plinth/legs	71.2 kg
Weight with a plinth	72.1 kg
Weight with low legs	72.0 kg
Weight with high legs	73.5 kg
<b>Variants</b>	
Flue outlet, top	Yes
Flue outlet, rear	Yes
Combustion air kit, rear/floor connection, (Ø100 mm), when fitted with plinth, air can only be taken through the floor	Yes
Soapstone cladding	No
Sandstone cladding, Tobacco	No
Tile cladding, white, black or red	No
Pedestal	No
Legs	Yes
Plinth	Yes
Wall bracket	No
Heat storage stones	No
<b>Connection from floor to topoutlet</b>	
With a plinth	56.9 cm
With low legs	61.3 cm
With high legs	79.3 cm
<b>Distance from flammable material</b>	
Rear	5*/12.5 cm
Side	32.5*/32.5 cm
Distance from furniture, front	100 cm
If placed in a corner, 45°	5*/7.5 cm
<b>Approvals</b>	
EN 13240	Yes
NS 3058/3059	Yes
Art. 15a	Yes
DEFRA	Yes
HETAS	Yes

\*with semi-insulated flue pipe (min. thickness of insulation: 25 mm)

# DRAWINGS

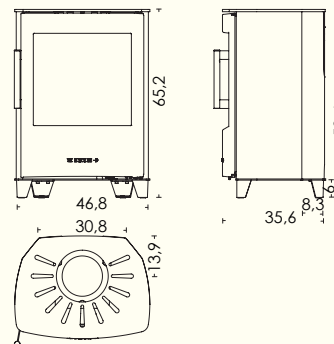
## WIKING MINI

On a plinth



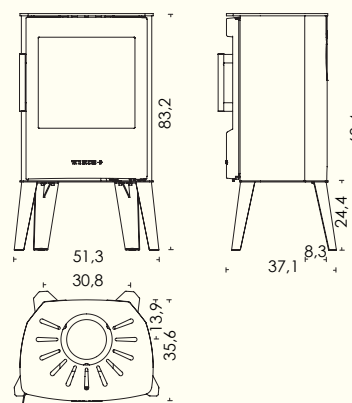
## WIKING MINI 2

With low legs



## WIKING MINI 2

With high legs





## WIKING MINI 2

NEW

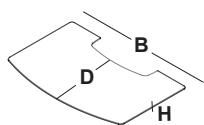
With low legs



# TECHNICAL SPECIFICATIONS

	WIKING Miro 1	WIKING Miro 2	WIKING Miro 3	WIKING Miro 4	WIKING Miro 5	WIKING Miro 6
<b>Technical specifications</b>						
Operating range	3-8 kW	3-8 kW	3-8 kW	3-8 kW	3-8 kW	3-8 kW
Nominal output	4.9 kW	4.9 kW	4.9 kW	4.9 kW	4.9 kW	4.9 kW
Gross and Net efficiency	78/71%	78/71%	78/71%	78/71%	78/71%	78/71%
Combustion chamber width, front/rear	35/32 cm	35/32 cm	35/32 cm	35/32 cm	35/32 cm	35/32 cm
Flue outlet	Ø 150 mm	Ø 150 mm	Ø 150 mm	Ø 150 mm	Ø 150 mm	Ø 150 mm
Chimney draught, min.	12 Pa	12 Pa	12 Pa	12 Pa	12 Pa	12 Pa
Energy efficiency class	A	A	A	A	A	A
<b>Weight</b>						
Weight	79 kg	82 kg	90 kg	93 kg	94 kg	97 kg
Weight with soapstone cladding	-	-	-	217 kg	-	252 kg
Weight with tile cladding	-	-	-	130 kg	-	143 kg
Weight with sandstone cladding	-	-	-	197 kg	-	227 kg
Weight, pedestal	11 kg	11 kg	-	-	-	-
Weight, heat storage stones	-	-	-	-	34 kg	34 kg
<b>Variants</b>						
Flue outlet, top	Yes	Yes	Yes	Yes	Yes	Yes
Flue outlet, rear	Yes	Yes	Yes	Yes	Yes	Yes
Fresh air system	Yes	Yes	Yes	Yes	Yes	Yes
Soapstone cladding	No	No	No	Yes	No	Yes
Sandstone cladding, Tobacco	No	No	No	Yes	No	Yes
Tile cladding, white, black or red	No	No	No	Yes	No	Yes
Pedestal	Yes	Yes	No	No	No	No
Plinth	Yes	Yes	No	No	No	No
Wall bracket	Yes	Yes	No	No	No	No
Heat storage stones	No	No	No	No	Yes	Yes
<b>Connection from floor, top outlet</b>						
Connection from floor	-	-	97 cm	97 cm	97 cm	97 cm
Wall mounted (from the stove's bottom edge)	67 cm	67 cm	-	-	-	-
With plinth	74 cm	74 cm	-	-	-	-
With pedestal	106.6 cm	106.6 cm	-	-	-	-
<b>Distance from flammable material</b>						
Rear	10 cm	10 cm	10 cm	10 cm	10 cm	10 cm
Side	52 cm	31 cm	52 cm	31 cm	52 cm	31 cm
Distance from furniture, front	90 cm	90 cm	90 cm	90 cm	90 cm	90 cm
If placed in a corner, 45°	38 cm	10 cm	38 cm	10 cm	38 cm	10 cm
<b>Approvals</b>						
EN 13240	Yes	Yes	Yes	Yes	Yes	Yes
NS 3058/3059	Yes	Yes	Yes	Yes	Yes	Yes
Art. 15a	Yes	Yes	Yes	Yes	Yes	Yes
DEFRA	Yes	Yes	Yes	Yes	Yes	Yes
HETAS	Yes	Yes	Yes	Yes	Yes	Yes

## WIKING MIRO



### Glass:

B 95,4 x D 50 x H 0,6 cm.

### Steel:

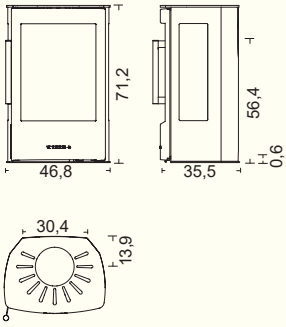
B 95,4 x D 50 x H 0,2 cm.



# DRAWINGS

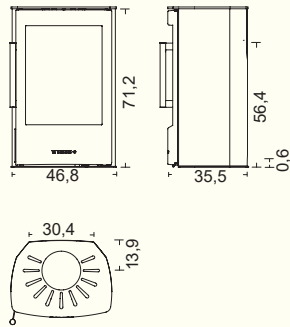
## WIKING MIRO 1

Wall mounted

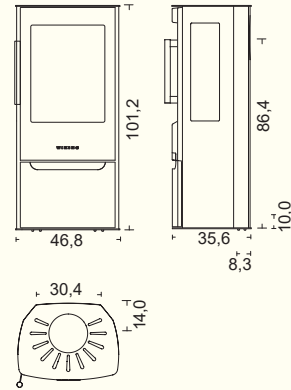


## WIKING MIRO 2

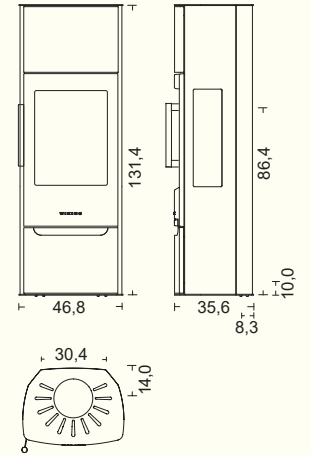
Wall mounted



## WIKING MIRO 3

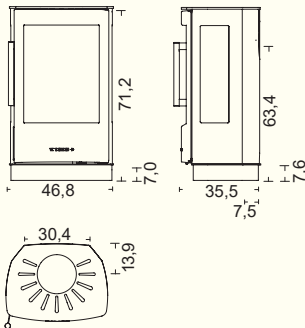


## WIKING MIRO 5



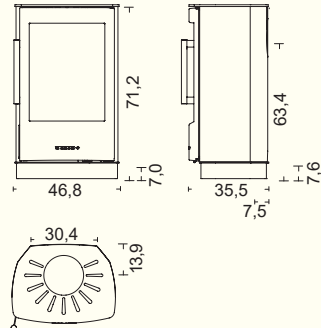
## WIKING MIRO 1

With a plinth

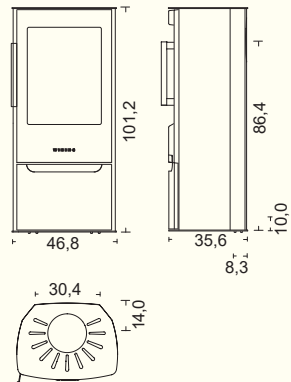


## WIKING MIRO 2

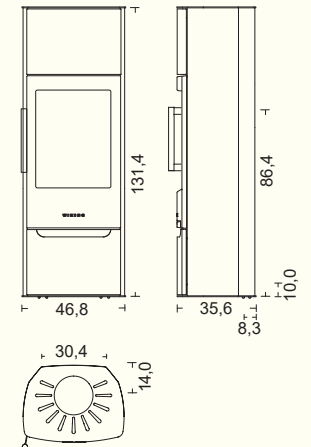
With a plinth



## WIKING MIRO 4

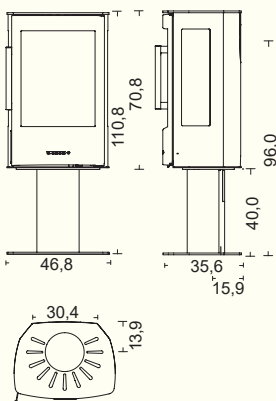


## WIKING MIRO 6



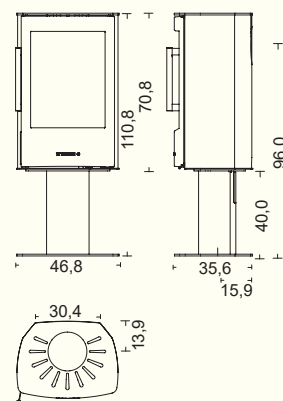
## WIKING MIRO 1

With a pedestal



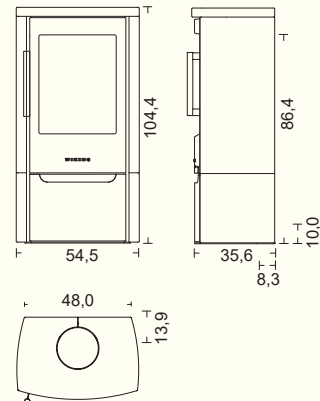
## WIKING MIRO 2

With a pedestal



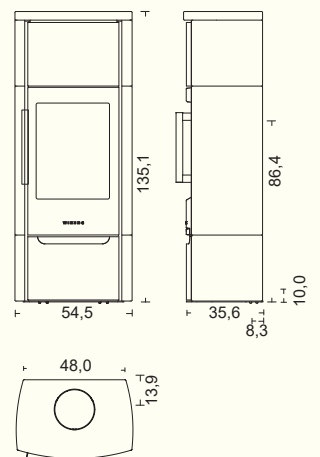
## WIKING MIRO 4

With stone cladding



## WIKING MIRO 6

With stone cladding

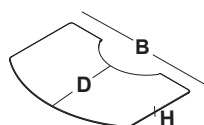


# TECHNICAL SPECIFICATIONS

	WIKING Luma 1	WIKING Luma 2	WIKING Luma 3	WIKING Luma 4	WIKING Luma 5	WIKING Luma 6
<b>Technical specifications</b>						
Operating range	4-9 kW	4-9 kW	4-9 kW	4-9 kW	4-9 kW	4-9 kW
Nominal output	7 kW	7 kW	7 kW	7 kW	7 kW	7 kW
Gross and Net efficiency	81/74 %	81/74 %	81/74 %	81/74 %	81/74 %	81/74 %
Combustion chamber width	36.5 cm	36.5 cm	36.5 cm	36.5 cm	36.5 cm	36.5 cm
Flue outlet	Ø 150 mm	Ø 150 mm	Ø 150 mm	Ø 150 mm	Ø 150 mm	Ø 150 mm
Chimney draught, min.	12 Pa	12 Pa	12 Pa	12 Pa	12 Pa	12 Pa
Energy efficiency class	A+	A+	A+	A+	A+	A+
<b>Weight</b>						
Weight	117 kg	114 kg	120 kg	117 kg	129 kg	126 kg
Weight with soapstone cladding	-	-	-	234 kg	-	266 kg
Weight with tile cladding	-	-	-	145 kg	-	165 kg
Weight with sandstone cladding	-	-	-	212 kg	-	241 kg
Weight, pedestal	19 kg	19 kg	-	-	-	-
Weight, heat storage stones	-	-	-	-	45 kg	45 kg
<b>Variants</b>						
Flue outlet, top	Yes	Yes	Yes	Yes	Yes	Yes
Flue outlet, rear	Yes	Yes	Yes	Yes	Yes	Yes
Fresh air system	Yes	Yes	Yes	Yes	Yes	Yes
Soapstone cladding	No	No	No	Yes	No	Yes
Sandstone cladding, Tobacco	No	No	No	Yes	No	Yes
Tile cladding, white, black or red	No	No	No	Yes	No	Yes
Pedestal	Yes	Yes	No	No	No	No
Wall bracket	Yes	Yes	No	No	No	No
Heat storage stones	No	No	No	No	Yes	Yes
<b>Connection from floor, top outlet</b>						
Connection from floor	76.2 cm	76.2 cm	104.5 cm	104.5 cm	104.5 cm	104.5 cm
Wall mounted (from the stove's bottom edge)	76.2 cm	76.2 cm	-	-	-	-
With pedestal	108.2 cm	108.2 cm	-	-	-	-
<b>Distance from flammable material</b>						
Rear	5*/12.5 cm	5*/15 cm	5*/12.5 cm	5*/15 cm	5*/12.5 cm	5*/15 cm
Side	60 cm	45*/40 cm	60 cm	45*/40 cm	60 cm	45*/40 cm
Distance from furniture, front	105 cm	110 cm	105 cm	110 cm	105 cm	110 cm
If placed in a corner, 45°	31.5 cm	5*/7.5 cm	31.5 cm	5*/7.5 cm	31.5 cm	5*/7.5 cm
<b>Approvals</b>						
EN 13240	Yes	Yes	Yes	Yes	Yes	Yes
NS 3058/3059	Yes	Yes	Yes	Yes	Yes	Yes
Art. 15a	Yes	Yes	Yes	Yes	Yes	Yes
DEFRA	Yes	Yes	Yes	Yes	Yes	Yes
HETAS	Yes	Yes	Yes	Yes	Yes	Yes

\*with semi-insulated flue pipe (min. thickness of insulation: 30 mm)

## WIKING LUMA



### Glass:

B 96,2 x D 50,3 x H 0,6 cm.

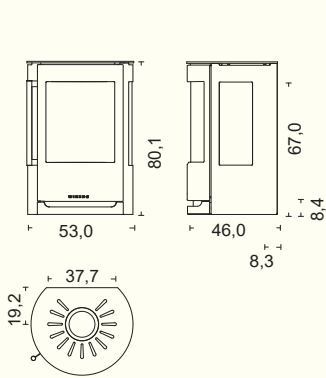
### Steel:

B 96,2 x D 50,3 x H 0,2 cm.



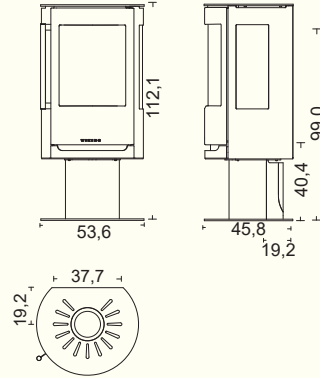
# DRAWINGS

## WIKING LUMA 1

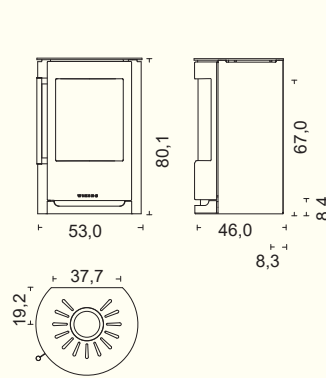


## WIKING LUMA 1

With a pedestal

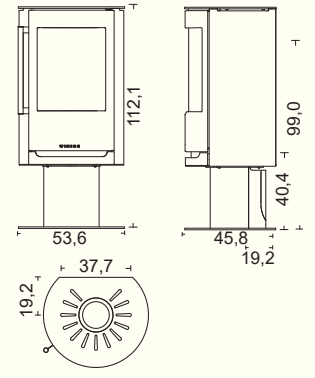


## WIKING LUMA 2

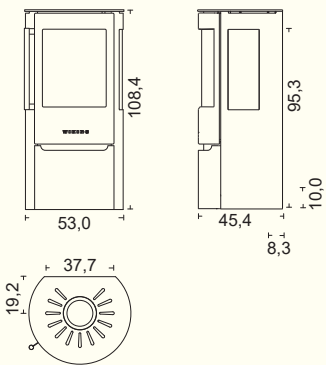


## WIKING LUMA 2

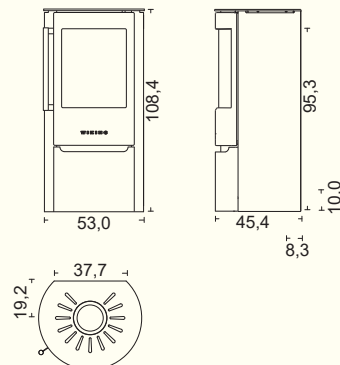
With a pedestal



## WIKING LUMA 3

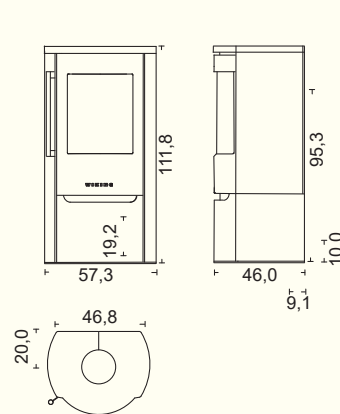


## WIKING LUMA 4

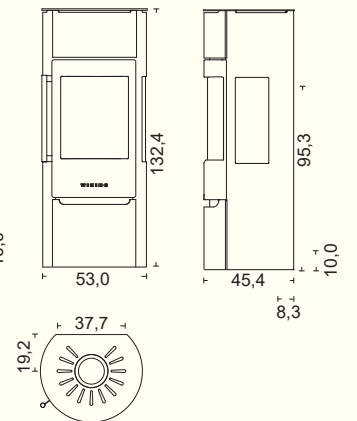


## WIKING LUMA 4

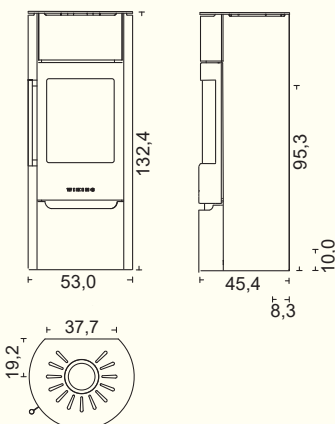
With stone cladding



## WIKING LUMA 5

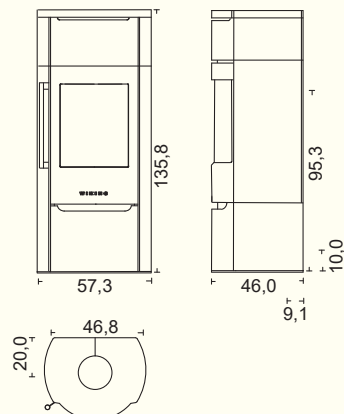


## WIKING LUMA 6



## WIKING LUMA 6

With stone cladding



**WIKING**   
*made by* **hwam**

[www.wiking.com](http://www.wiking.com)

